



Filter Housings

VF8 Series

Single and Double Element Housings

FEATURES

- 150 psi maximum operating pressure
- Carbon steel construction
- Positive seal tie-rod cartridge mounting
- Six types of cartridge media available
- 2" NPT connections
- Polyurethane almond powder coated interior & exterior

DESCRIPTION

- VF81C – a single element housing designed in accordance with the ASME code
- VF82C – a double element housing designed in accordance with the ASME code.
- VF82B – a non-code design that holds two cartridges.

VF8 Series vessels accommodate **Aquacon**® super absorbent or other special purpose filter cartridges. Refer to "Cartridge Types" listed on the reverse side of this sheet.

APPLICATIONS

- | | |
|----------------|-----------------|
| Hydraulic Oil | Kerosene |
| Insulating Oil | Gear Oil |
| Diesel Fuel | Quench Oil |
| Lube Oil | Vacuum Pump Oil |
| Coolant | Turbine Oil |
| Cutting Oil | Cooling Water |
| Synthetic Oil | Transformer Oil |
| Gasoline | Biodiesel |



VF81C

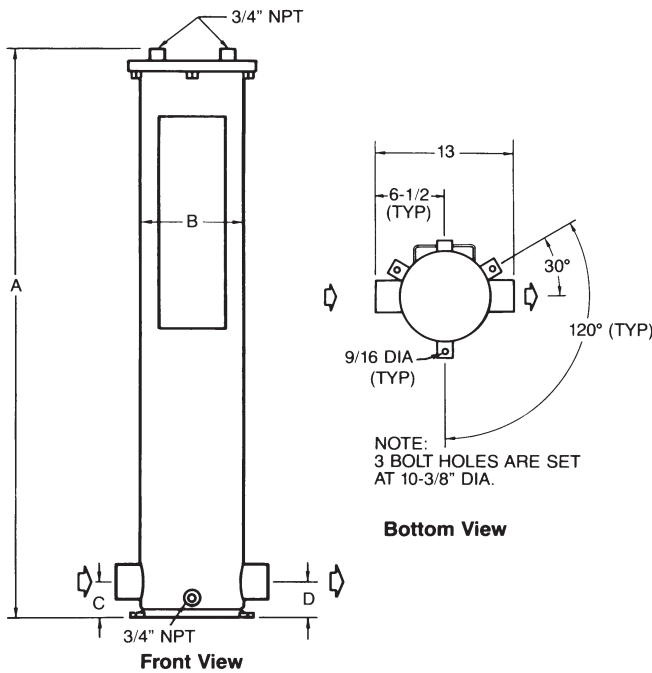
VF82B

VF82C

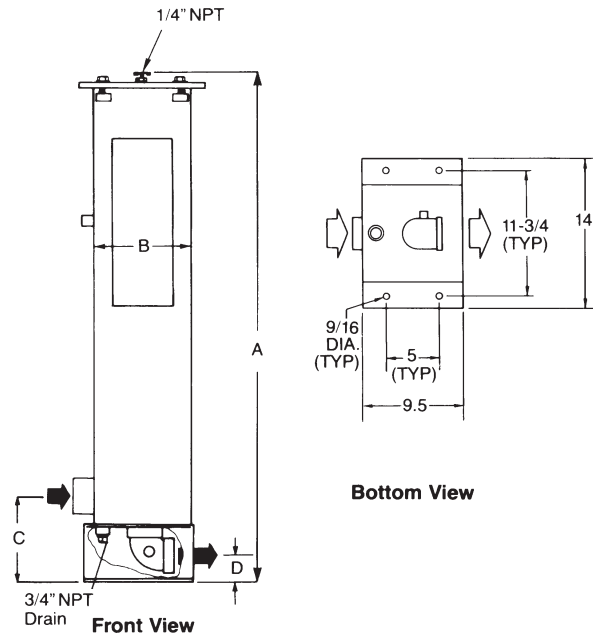
DIMENSIONS

Housing	VF81C	VF82C	VF82B
Inlet/Outlet	2" NPT	2" NPT	2" NPT
A	31.5" (80 cm)	48.5" (123.1 cm)	44" (111.8 cm)
B	8.6" (21.9 cm)	8.6" (21.9 cm)	8.6" (21.9 cm)
C	3" (7.6 cm)	3" (7.6 cm)	7.5" (19 cm)
D	3" (7.6 cm)	3" (7.6 cm)	2.5" (6.3 cm)
Volume	6 gal (22.7 l)	10 gal (37.9 l)	9 gal (34 l)
Vessel Weight – Empty	90 lbs (40.8 kg)	118 lbs (53.5 kg)	86 lbs (39 kg)
Shipping Weight	110 lbs (49.9 kg)	138 lbs (62.6 kg)	106 lbs (48 kg)
Number of Standard Cartridges	1	2	2
Lid Gasket – Buna-N	G-1045	G-1045	G-1045

VF81C and VF82C



VF82B



ORDERING INFORMATION (Specify)

Housing	VF81C150 (ASME Code Design)	Recommended Spares	6 Spare Filter Cartridges	
	VF82C150 (ASME Code Design)		1 Lid Gasket	
	VF82B150 (Non-ASME Code Design)		Accessories	#120-A Direct Reading Gammon Gauge, piston type
	ASME Code Stamp – Specify if Required			#120-F Differential Pressure Gauge
Cartridge Types (not included with housing)	FO-718PL Series Pleated Synthetic Media		G-1045A Viton Lid Gasket	
	FOS-618PL Series Pleated Media			
	FO-618FGA Series Fiberglass Depth Media			
	LA-61801B Fuller's Earth Media			
	AC-718 Series Aquacon ® Free Water-Absorbing Media			
	SD-718 Superdri ® Dissolved Water Removal Media			



Velcon products are sold and serviced by a world-wide representative network. To order, contact Headquarters or your **LOCAL REPRESENTATIVE**:

COMPANY HEADQUARTERS:
 Velcon Filters, LLC
 1210 Garden of the Gods Road
 Colorado Springs, CO 80907-3410
 Phone: 1.800.531.0180 / 1.719.531.5855
 Fax: 719.531.5690
 e-mail: vfsales@velcon.com
 www.velcon.com

MANUFACTURING PLANTS LOCATED AT:
 Colorado Springs, Colorado
 Sylacauga, Alabama
 Henryetta, Oklahoma

OFFICES AND AFFILIATES IN:
 Canada, Germany, Singapore, & Spain



**Liquid Filtration
 and Separation
 Specialists**