



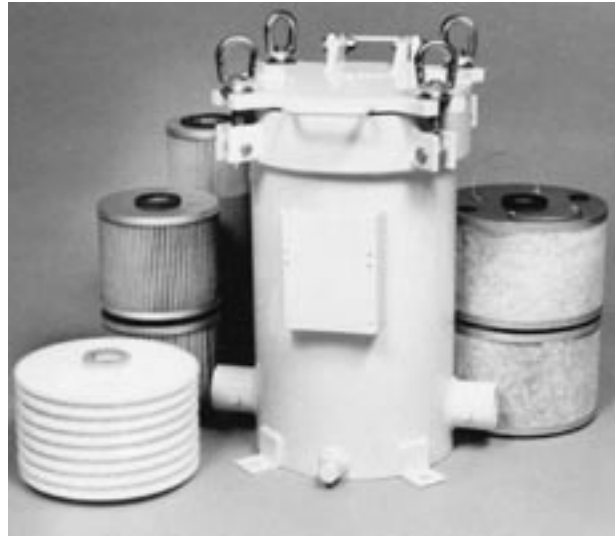
Insulating Oil Filter Housing

VF12xxSYS100

Designed to use Velcon's new SD-807 and SD-1107 **Superdri**® Cartridges for transformer filling and drying applications. Also accepts Velcon AC-800 Series insulating oil filter cartridges. Single O-ring seal provides leak-free service. Swing bolts with eye nuts offer easy opening of hinged cover. Positive knife edge cartridge seal. Low flow restriction design.

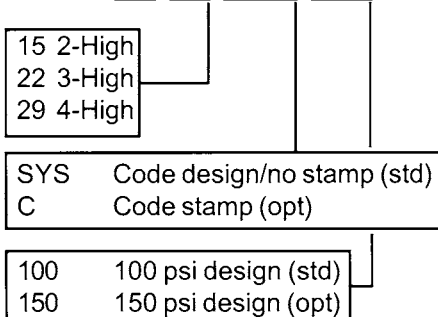
STANDARD FEATURES

- Carbon steel construction
- 100 psi design pressure, 150 psi test
- ASME code design
- Hinged cover with O-ring seal in vessel
- Eye bolt closure
- White polyester polyurethane powder coat, interior and exterior
- Connection size: 2" NPT
- Drain connection: 3/4" NPT
- Top vent connection: 1" NPT
- PRV connection: 3/4" NPT
- Pressure tap connections: 1/4" NPT (at vessel inlet and outlet)



ORDERING INFORMATION

VF 12 22 SYS 100



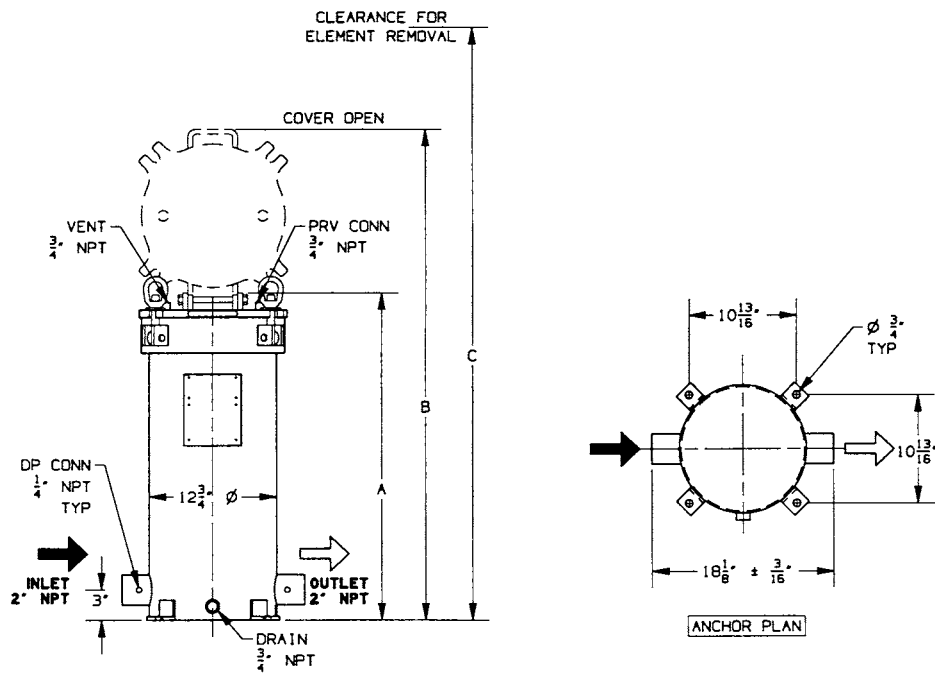
0 - 50 psi DP Gauge 703Y004
 Automatic Air Eliminator 440Y404

MAXIMUM RECOMMENDED INSULATING OIL FLOW RATES

| HOUSING | CARTRIDGE | | |
|---------|-----------|---------|--------|
| | SD-800 | SD-1100 | AC-800 |
| VF1215 | 5 gpm | 10 gpm | 25 gpm |
| VF1222 | 7.5 gpm | 15 gpm | 38 gpm |
| VF1229 | 10 gpm | 20 gpm | 50 gpm |

SPECIFICATIONS

| VESSEL | VF1215 | VF1222 | VF1229 |
|--------------------------------------|----------------------------------|----------------------------------|----------------------------------|
| A (vessel ht) | 25 ¹ / ₄ " | 32 ³ / ₄ " | 40 ¹ / ₄ " |
| B (vessel ht + lid clear) | 41 ³ / ₄ " | 49 ³ / ₄ " | 56 ³ / ₄ " |
| C (vessel ht + cart clear) | 37 ³ / ₄ " | 52 ¹ / ₄ " | 66 ³ / ₄ " |
| Weight (empty) | 160 lb. | 180 lb. | 200 lb. |
| Shipping Weight | 190 lb. | 210 lb. | 230 lb. |
| Number of Cartridges | 2 ea x SD-807 | 3 ea x SD-807 | 4 ea x SD-807 |
| | 2 ea x SD-1107 | 3 ea x SD-1107 | 4 ea x SD-1107 |
| | 2 ea x AC-807 | 3 ea x AC-807 | 4 ea x AC-807 |
| | 1 ea x AC-815 | 1 ea x AC-822 | 1 ea x AC-829 |
| Lid Gasket (Std Buna) | G-1175 | G-1175 | G-1175 |
| Lid Gasket (Opt Viton) | G-1175A | G-1175A | G-1175A |



Velcon products are sold and serviced by a world-wide representative network. To order, contact Headquarters or your **LOCAL REPRESENTATIVE**:

COMPANY HEADQUARTERS:
 Velcon Filters, Inc.
 1210 Garden of the Gods Road
 Colorado Springs, CO 80907-3410
 Phone: 1.800.531.0180 / 1.719.531.5855
 Fax: 719.531.5690
 e-mail: vfsales@velcon.com
 www.velcon.com

MANUFACTURING PLANTS LOCATED AT:
 Colorado Springs, Colorado
 Sylacauga, Alabama

OVERSEAS AFFILIATES:
 Frankfurt/M., Germany & Singapore

**Liquid Filtration
 and Separation
 Specialists**